

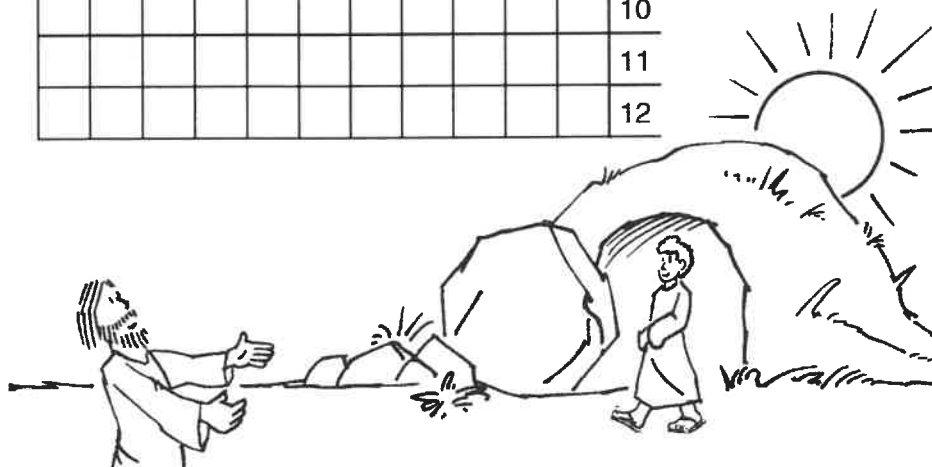


Jesus went to the tomb of Lazarus. He told the people to take away the stone that closed the entrance. He prayed to God and then said, "Lazarus, come out!" What happened next?

Color the spaces to find the answer.

Row 1: C E G H I Row 5: C E G H I Row 11: A C F I K
 Row 2: C E G Row 8: A B E F G I J Row 12: A B E F G I J
 Row 3: C D E G H Row 9: A C F I K
 Row 4: C E G Row 10: A C F I K

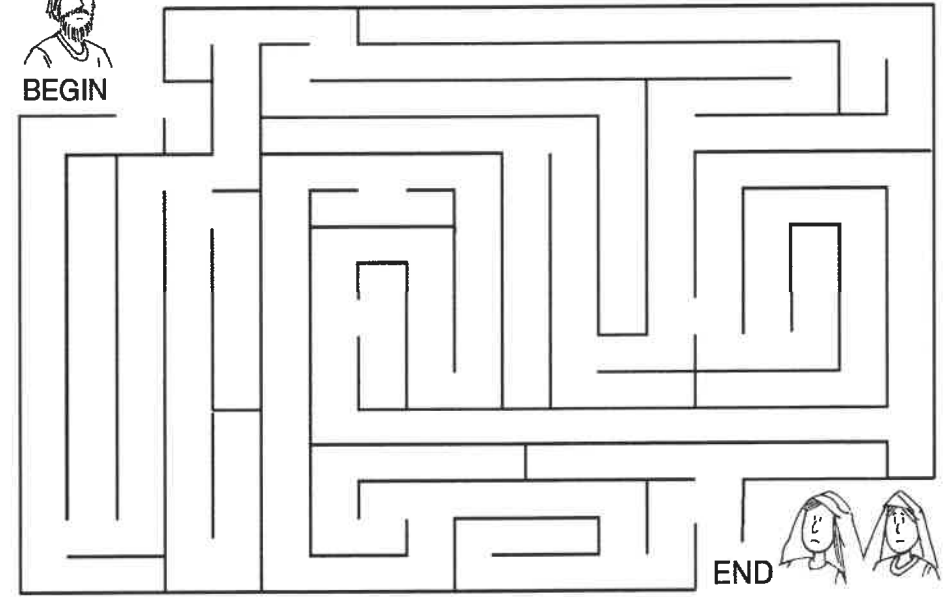
A	B	C	D	E	F	G	H	I	J	K	
											1
											2
											3
											4
											5
											6
											7
											8
											9
											10
											11
											12



Jesus Raises Lazarus

A man named Lazarus was sick. His sisters, Mary and Martha, sent word to Jesus. ... Now Jesus loved Martha and her sister and Lazarus. ... But before Jesus got to them, Lazarus died.

Help Jesus find the way to Mary and Martha.



When Martha heard that Jesus was coming, she went out to meet Him. ...



New Covenant Church
KNOW · HEAR · RESPOND

Enter your **SECRET CODE** to unlock games @ games.childrensbulletins.com **SECRET CODE**
JCE776

Martha said to Him, "Lord, if You had been here, my brother would not have died. But I know that even now God will give You whatever You ask."

In each group, circle the word that does not rhyme.
Then write the circled words in order on the lines below.

Sour Your Hour Flour Power	moth sloth cloth broth brother	will well sell tell bell
clothes toes rose rise flows	blend spend again fend mend	

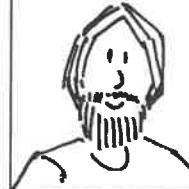
Jesus said to her, " _____
_____ "



Then what did Jesus say to Martha?

Use the code to find John 11:25-26.

□ = A	■ = F	⊕ = K	▭ = P	◻ = U
■ = B	▵ = G	⊗ = L	▨ = Q	◻ = V
▭ = C	▭ = H	⊕ = M	⊗ = R	◻ = W
▭ = D	▭ = I	▨ = N	⊗ = S	◻ = X
▭ = E	▵ = J	▭ = O	● = T	⊗ = Y
			● = Z	



" _____

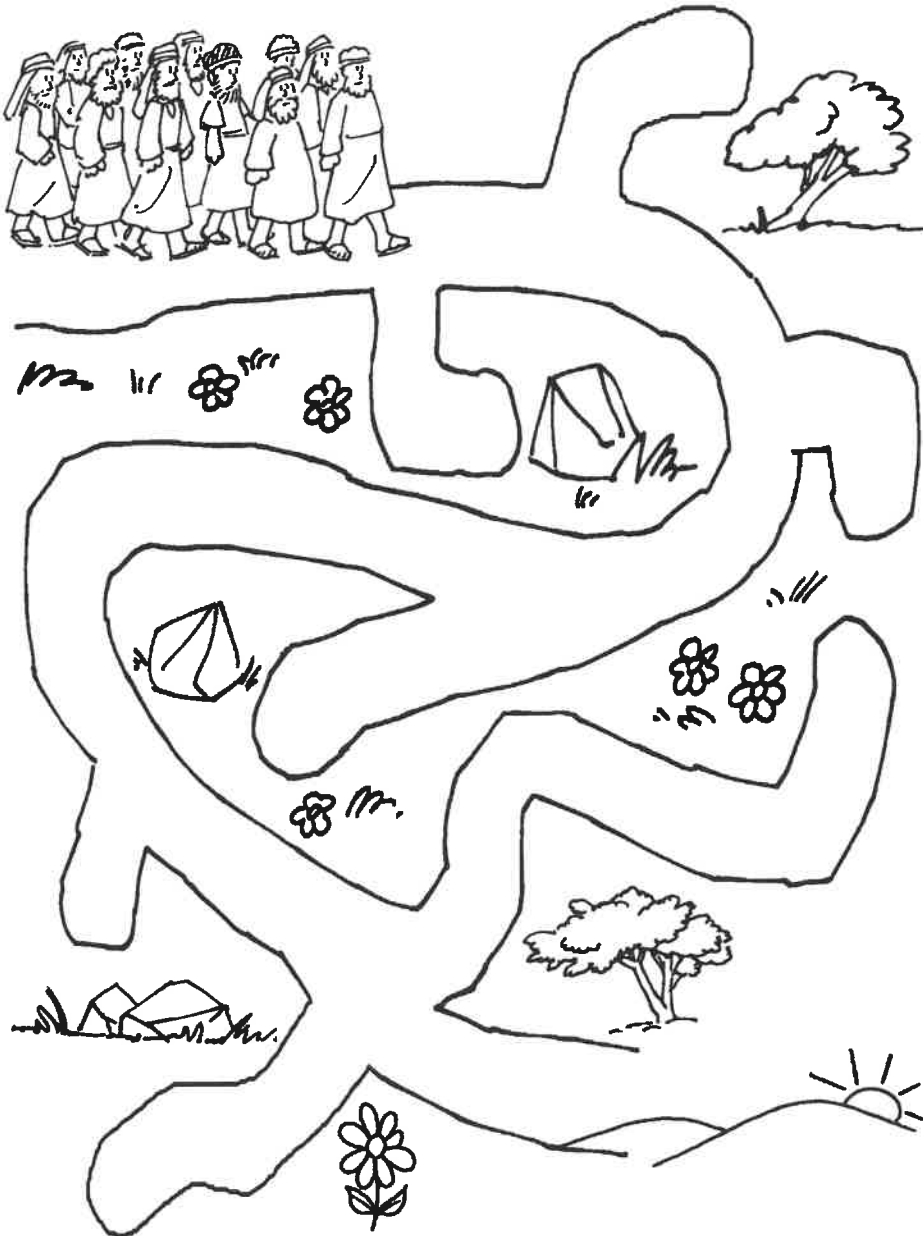
The one who believes

_____ they die;

_____ "

God said, "I will bring the people back to the land of Israel."

Help the people get to Israel.



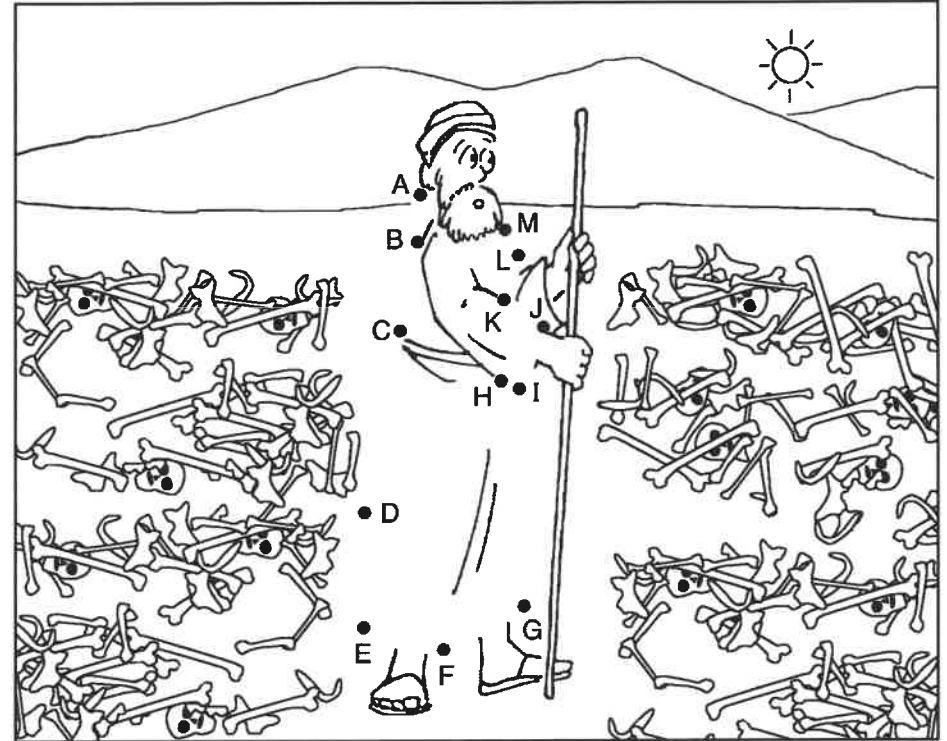
Ages 3+

March 29, 2020 • Ezekiel 37:1-14

The Vision of the Bones

God sent Ezekiel a vision. In it, Ezekiel was in a valley. The valley was full of dry bones.

Connect the dots.
A B C D E F G H I J K L M



New Covenant Church
KNOW · HEAR · RESPOND

Enter your **SECRET CODE** to unlock games @
games.childrensbulletins.com

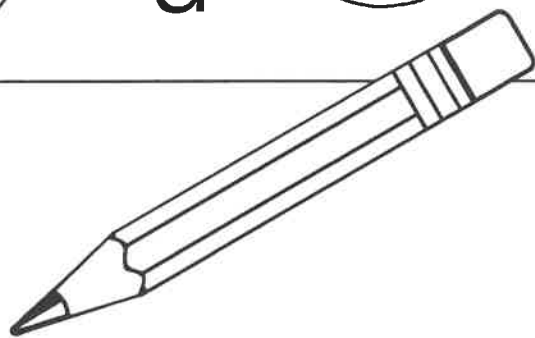
SECRET CODE!
PHN478

Israel was like dry bones.
The people said, "Our hope is gone."

Use the code to fill in the missing letters.

e =  i = 

o =  u = 



"O _ r h _ p _



_ s g _ n _ ."



God told Ezekiel to speak to the bones.
"They will live again," God said.

Match the shapes below.

